

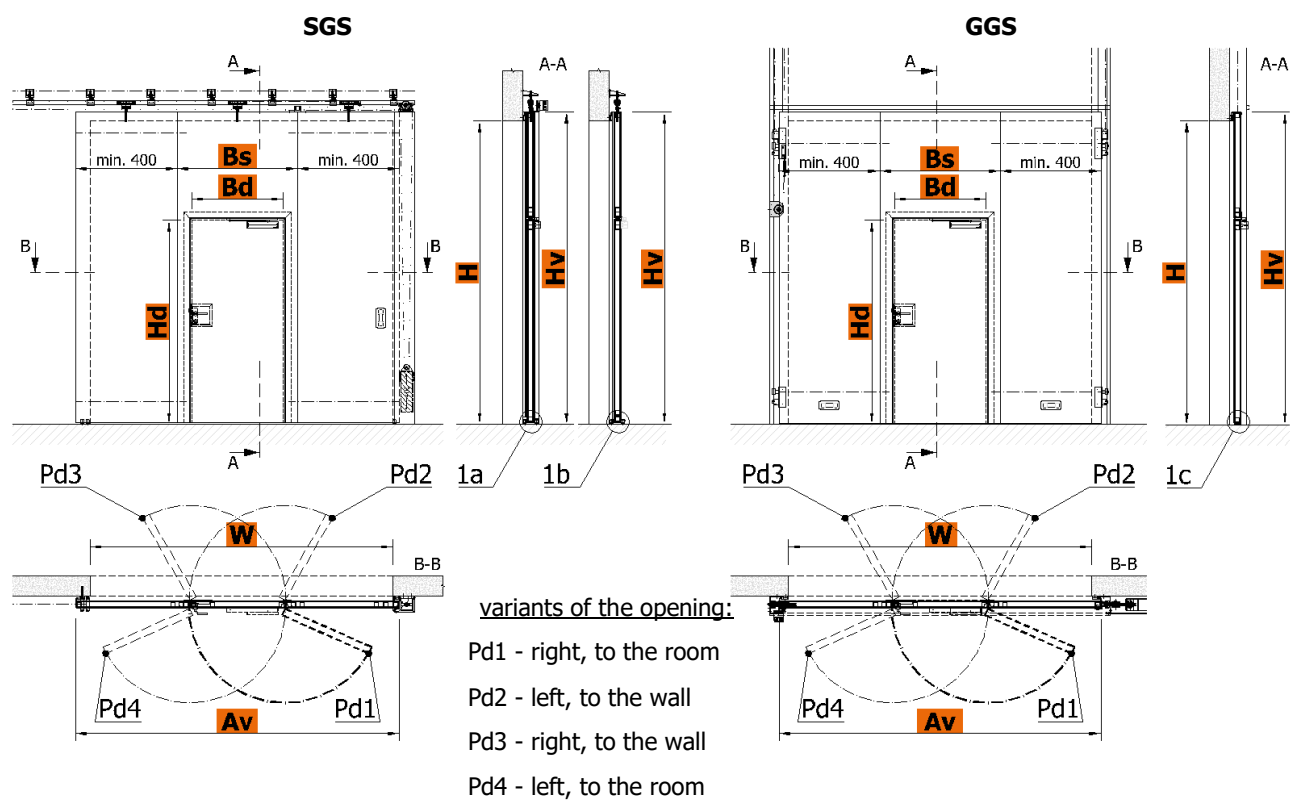


TECHNICAL DATA SHEET ACCESSORIES OF SLIDING GATES HORIZONTAL/ VERTICAL SGS / GGS EI 60

Technical data sheets serve to determine the basic space requirements of sliding fire gates. Other dimensions or atypical demands can be solved upon request.

SGS / GGS EI 60

PASSAGE DOOR



Av	minimal width of gate leaf with passage door*	=	Bd + 1120 mm
W	minimal opening width of gate with passage door	=	Av - 200 mm (Av - 150 mm)***
Hv	minimal height of gate leaf with passage door	=	Hd + 137 mm
H	minimal opening height of gate with passage door	=	Hv - 90 mm
Bs	width of section with passage door	=	Bd + 294 mm
Bd	standard width of passage door	=	900 mm**
Hd	standard height of passage door	=	2000 mm**

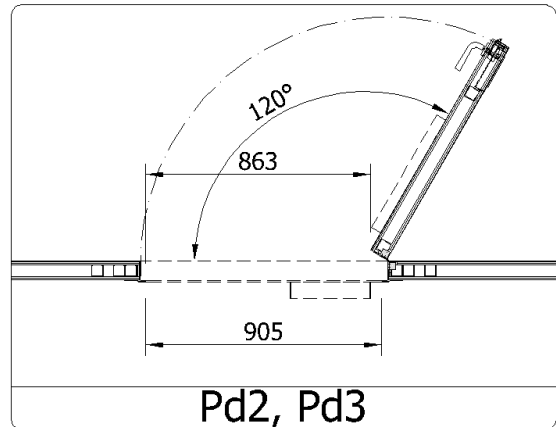
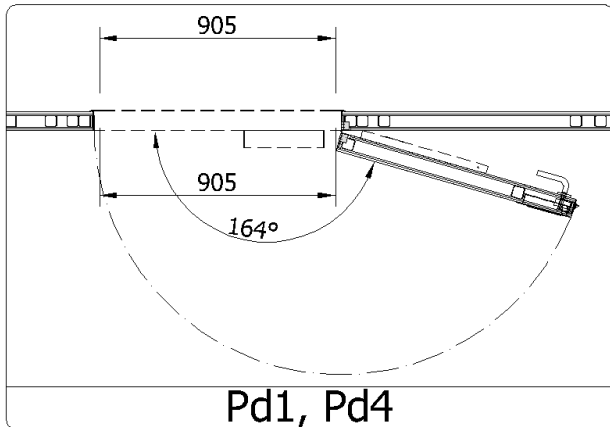
* In individual cases it is possible to produce gate from one section (only with threshold) – have to be consulted!

** Upon request, it is possible to produce individual dimension, e.g. width 1000 mm (max. 1200 mm), height 2100 mm. These dimensions have to be consulted – they have limited applicability.

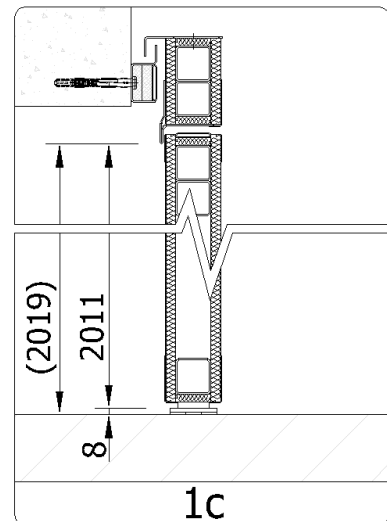
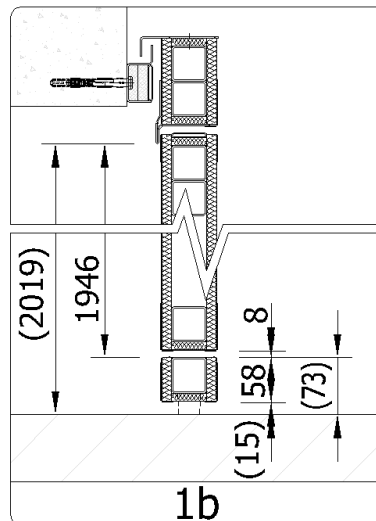
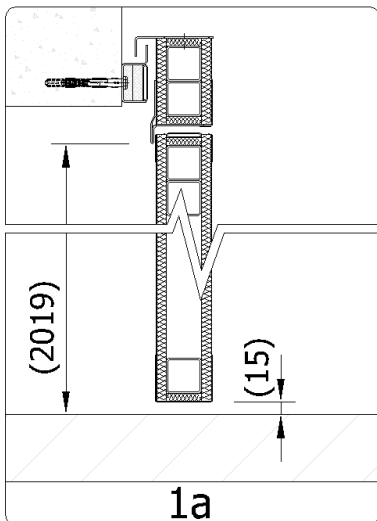
*** Only valid for door TYPE 2.



HORIZONTAL SECTION for standard width $B_d = 900$ mm

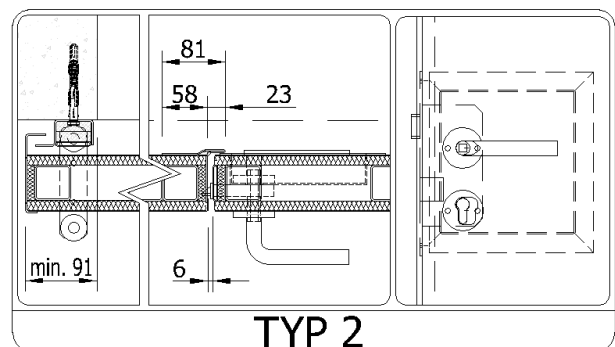
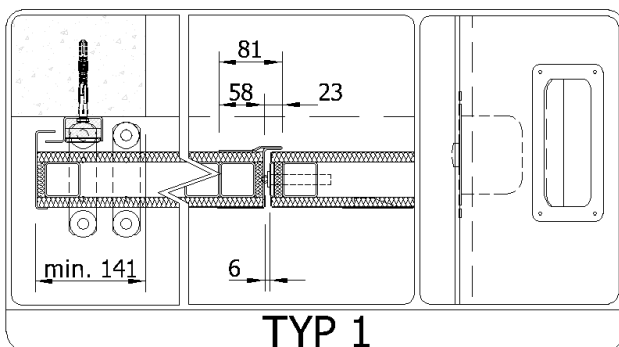


VERTICAL SECTION for standard height $H_d = 2000$ mm



1a – passage door without threshold (SGS) | 1b – passage door with threshold (SGS i GGS) | 1c – passage door with low threshold (GGS)

LOCK



TYPE 1 – roller lock

TYPE 2 – fittings handle – handle/knob (+ cylindrical insert/panic lock)